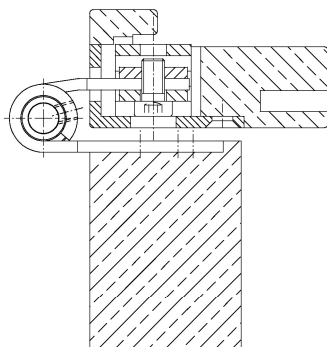


**Additional Information**

Standard load: Maximum door weight 120 kg (per pair)  
 Application: Non-rebated interior doors in private sector, w/fixing screws, detachable when mounted, slim design due to **18 mm barrel diameter**  
 Receiver: OBJECTA® 3-D receiver types according to chapter 2 with connection size 56 mm (VX)

**Section Drawing**



Item	Finish	PU
039630	enox brushed	30
039631	nickel plated	30
S17038	RAL 9004 matt	30